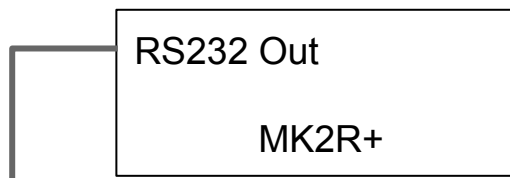
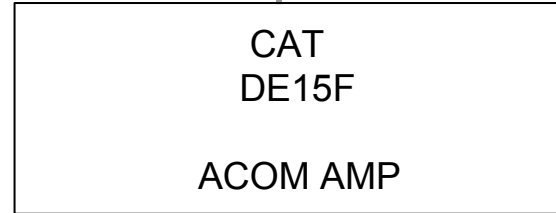
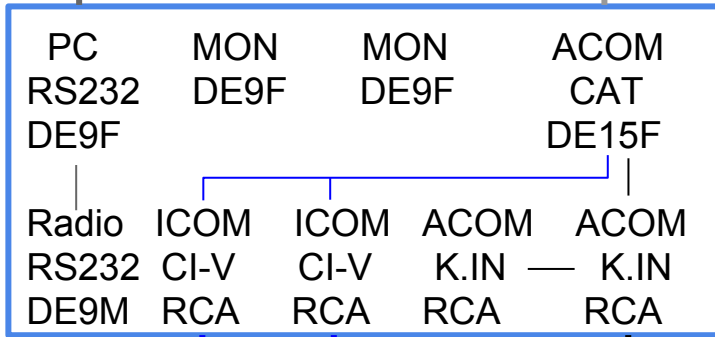


# MK2R+ to Icom Serial to S-BOX to ACOM Amp

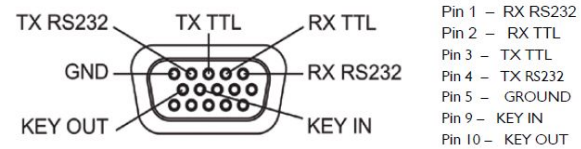


DE-15 M/M cable

S-BOX

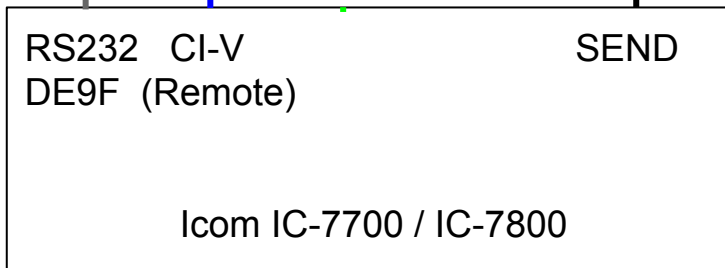


## ACOM 2000A CAT DE15F



To other Icom  
(e.g. IC-7610)

## ACOM 600S / 1200S



CAT/AUX interface	PIN NO.	PIN NAME	DESCRIPTION	SPECIFICATIONS
<p>Rear panel view</p>	1	RxD	Received Data	TTL input
	2	RxD	Received Data	RS232 input
	3	TxD	Transmitted Data	RS232 output
	4	TxD	Transmitted Data	TTL output
	5	GND	Ground	0 Volt
	6	BAND voltage	Analogue input	0 to +8V
	7	B. data 0	Bit 0	TTL input
	8	B. data 1	Bit 1	TTL input
	9	B. data 2	Bit 2	TTL input
	10	B. data 3	Bit 3	TTL input
	11	ON RMT	Remote Pwr On	+4.5 to +15V / 3mAmax 1 to 2 seconds pulse
	12	Debug mode	CPU only Power Input	+8 to +15V / 0.4A
	13	KEY-IN	Transmit Request	Rx/Tx control input Less than +12.6V Less than 6mA
	14	KEY-OUT	Transmit Enable	O.C. output, 0 to +50V 20mA maximum
	15	GND	Ground	0 Volt