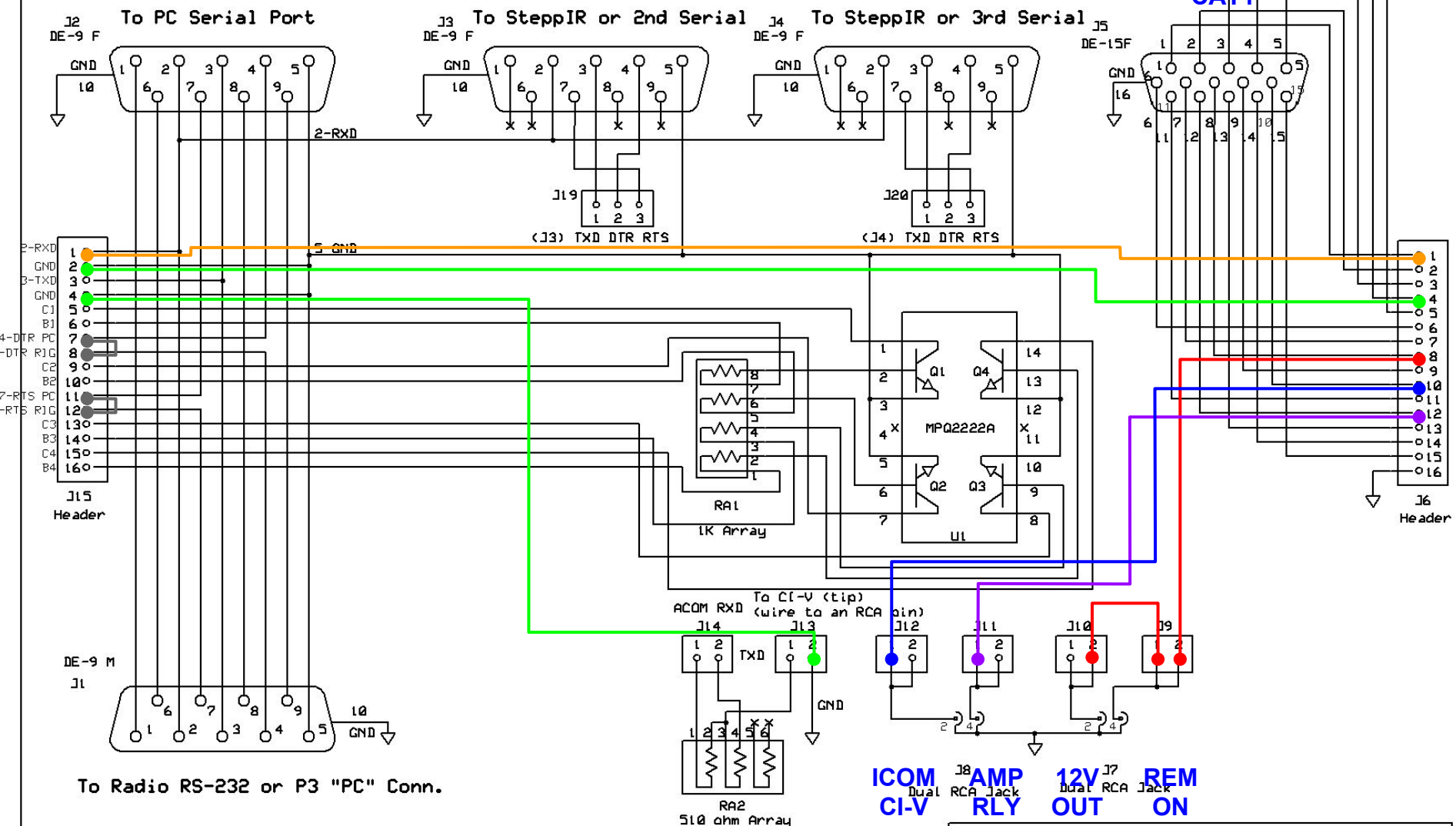


SPE: 1 RXD, 3 TXTTL, 4 GND, 8 RemON, 9 TXD, 10 RXTTL/CI-V, 11 KenTTL GND, 12 RLY

SPE
CAT1



ICOM
CI-V
AMP
Dual RCA Jack
RLY
OUT
12V
Dual RCA Jack
REM
ON

N6TV

1x3 DE-9 Splitter with DE-15

R. A. Wilson	Ver 1.2	Page 1 of 1
	03/05/2018	

To ACOM Only (from ICOM)

To Radio RS-232 or P3 "PC" Conn.

To PC Serial Port

To SteppIR or 2nd Serial

To SteppIR or 3rd Serial

DE-15F

