

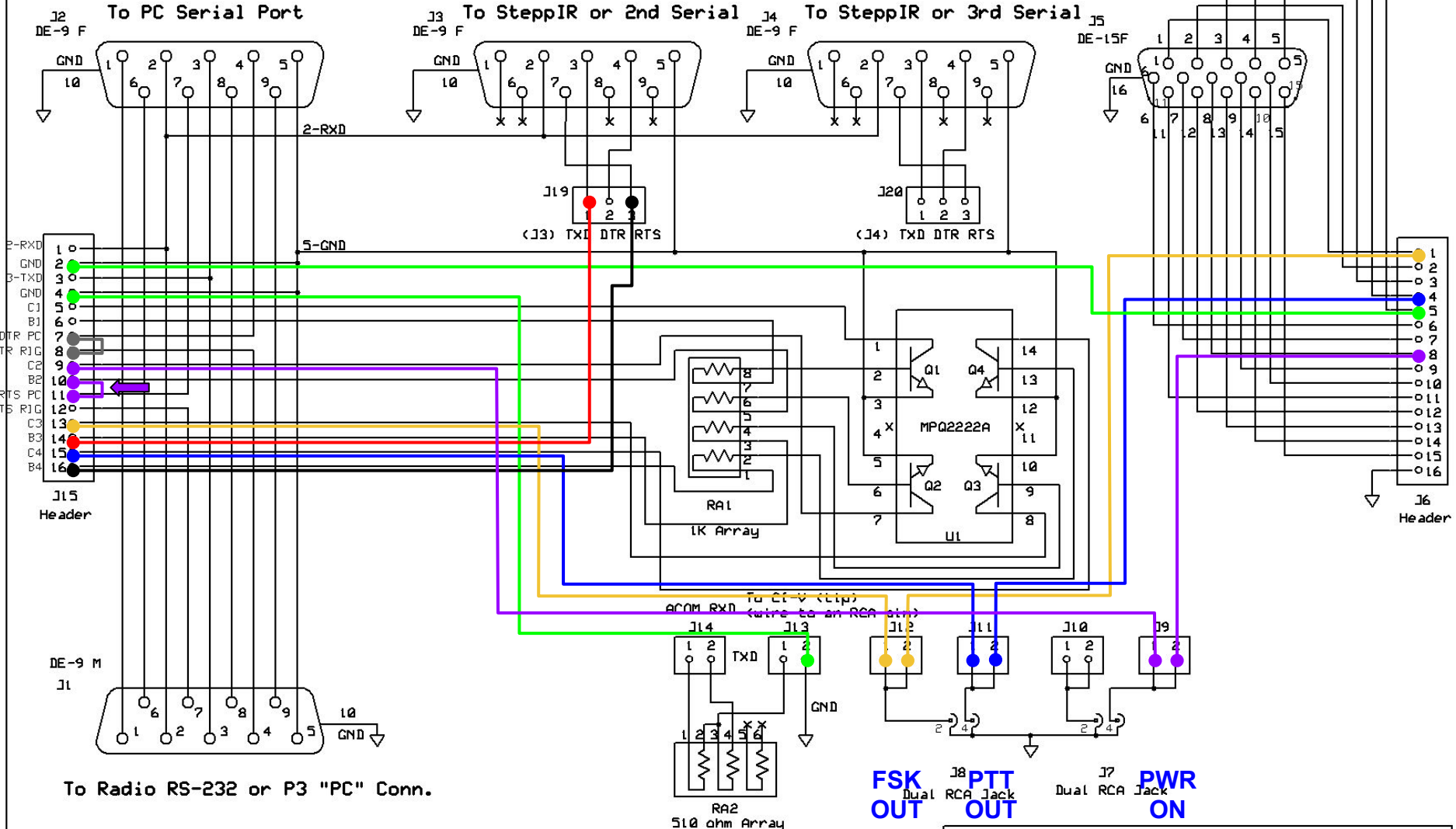
K3: 1 FSK IN, 4 PTT IN, 5 GND, 8 PWR ON

PC Serial or
USB-to-Serial adapt.
4-DTR CW 7-RTS PWR ON

PC FSK MMTTY
3-TXD 7-RTS

SteppIR
DATA IN

K3 ACC
or Y-BOX



To PC Serial Port

To SteppIR or 2nd Serial

To SteppIR or 3rd Serial

DE-15F

2-RXD
GND
3-TXD
GND
C1
B1
4-DTR PC
4-DTR RJG
C2
B2
7-RTS PC
7-RTS RJG
C3
B3
C4
B4
J15 Header

DE-9 M
J1

To Radio RS-232 or P3 "PC" Conn.

J19
(J3) TXD DTR RTS

J20
(J4) TXD DTR RTS

To RF-V (strip wire to an RCA str)

J14 TXD
J13 GND

RA2
510 ohm Array

To ACOM Only (from ICOM)

FSK OUT
Dual RCA Jack

PTT OUT
Dual RCA Jack

PWR ON

N6TV

1x3 DE-9 Splitter with DE-15

R. A. Wilson	Ver 1.2	Page 1 of 1
	03/05/2018	