

# S-BOX-USB CW, FSK, & PTT + SteppIR, KPA1500 via RXD

**PC USB: CAT + Keying**

**4-DTR=CW 7-RTS=PTT**  
To PC Serial Port

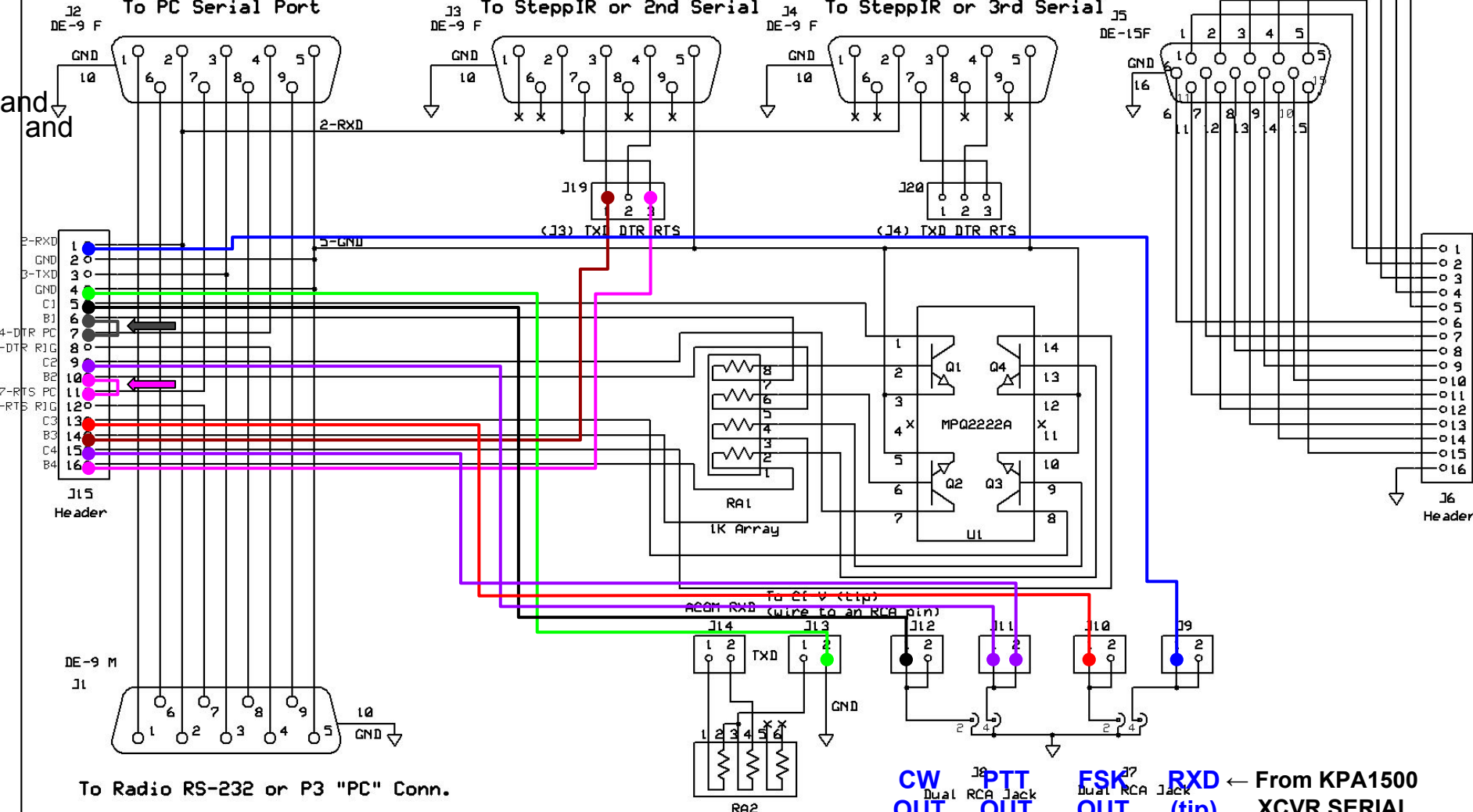
**FSK Keying**

**3-TXD=FSK 7-RTS=PTT**  
To SteppIR or 2nd Serial

**SteppIR**

**DATA IN**  
To SteppIR or 3rd Serial

n.c.



To Radio RS-232 or P3 "PC" Conn.

**Yaesu CAT  
or Kenwood COM**

To ACOM Only (from ICOM)

**CW OUT** **PTT OUT** **FSK OUT** **RXD (tip)** ← From KPA1500  
Dual RCA Jack Dual RCA Jack XCVR SERIAL

N6TV

**1x3 DE-9 Splitter with DE-15**

R. A. Wilson

Ver 1.2

03/05/2018

Page 1 of 1