

ACOM: 1 RXD, 2 RXTTL, 3 TXTTL, 4 TXD, 5 GND, 9 KEY IN, 10 KEY OUT

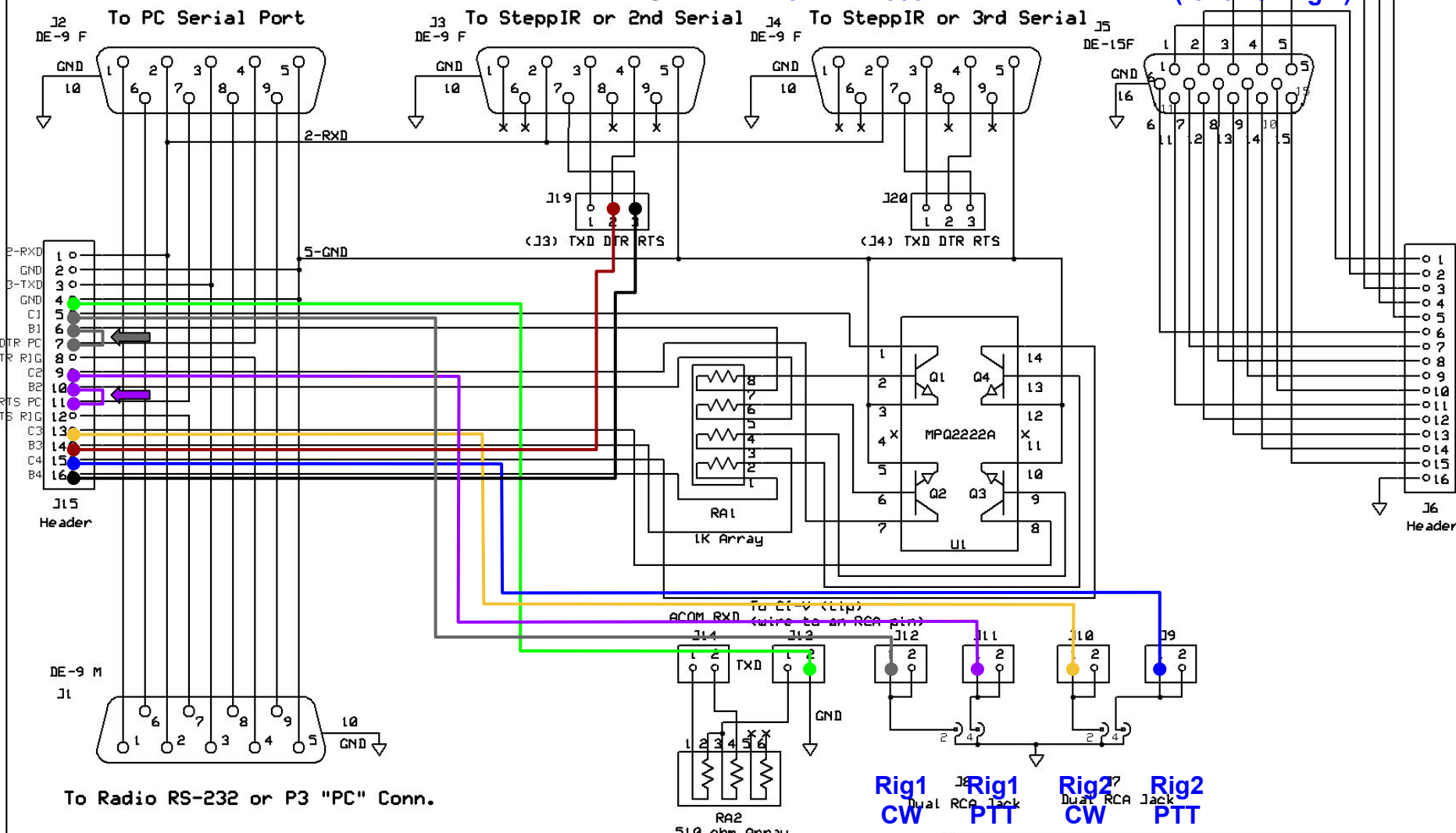
SPE: 1 RXD, 3 TXTTL, 4 GND, 8 RemON, 9 TXD, 10 RXTTL/CI-V, 11 KenTTL GND, 12 RLY

**Radio 1  
Rig Control + Keying  
4-DTR CW 7-RTS PTT**

**Radio 2 Keying  
4-DTR CW 7-RTS PTT**

**SteppIR, KPA500 "XCVR",  
or KPA1500 "PC DATA"**

**ACOM or SPE AMP  
CAT (follows Rig 1)**



To Radio RS-232 or P3 "PC" Conn.

To Radio 1  
Serial Port

To ACOM Only (from ICOM)

**Rig1 CW**  
**Rig1 PTT**  
**Rig2 CW**  
**Rig2 PTT**

N6TV		
1x3 DE-9 Splitter with DE-15		
R. A. Wilson	Ver 1.2 03/05/2018	Page 1 of 1