

ACOM: 1 RXD, 2 RXTTL, 3 TXTTL, 4 TXD, 5 GND, 9 KEY IN, 10 KEY OUT

SPE: 1 RXD, 3 TXTTL, 4 GND, 8 RemON, 9 TXD, 10 RXTTL/CI-V, 11 KenTTL GND, 12 RLY

Radio 1 Rig Control

Radio 1 FSK Keying 3-TXD FSK 7-RTS PTT

Radio 2 FSK Keying 3-TXD FSK 7-RTS PTT

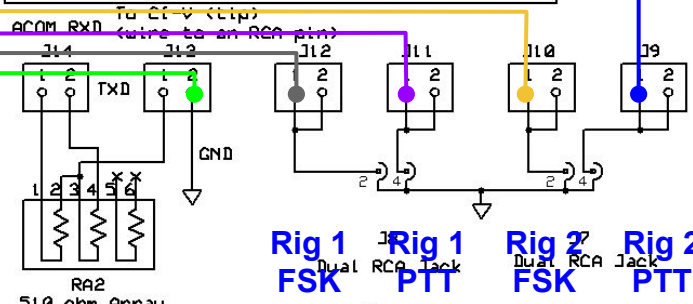
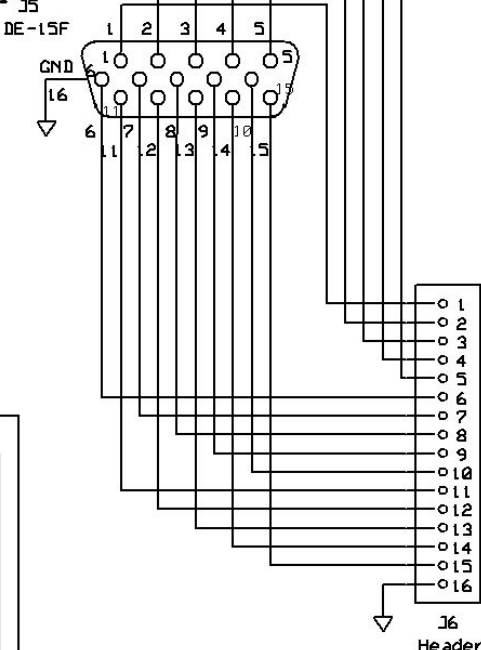
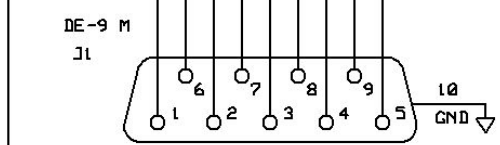
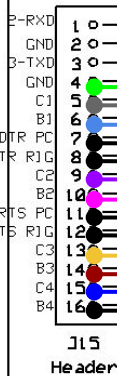
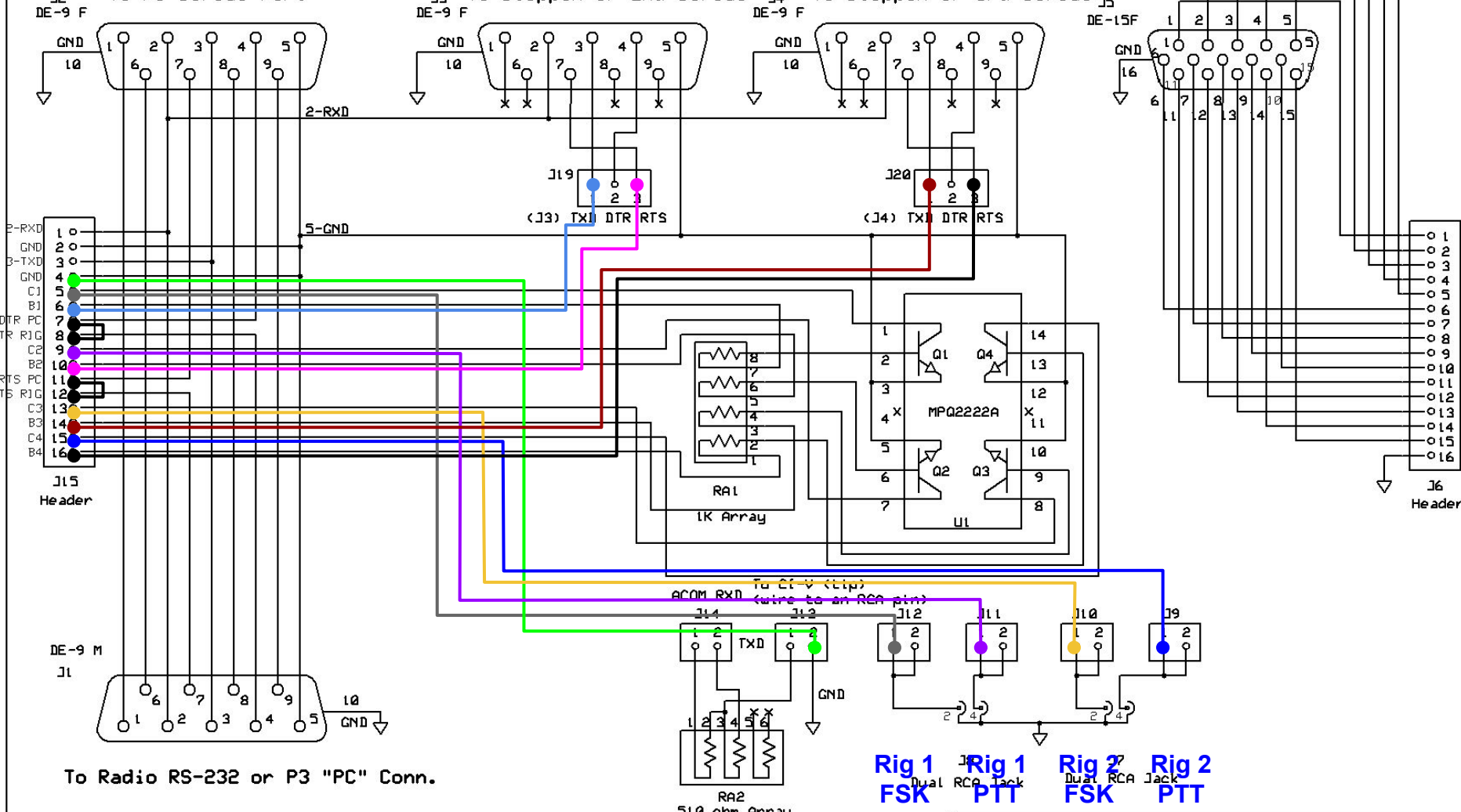
ACOM or SPE AMP CAT (follows Rig 1)

To PC Serial Port

To SteppIR or 2nd Serial

To SteppIR or 3rd Serial

To SteppIR or 3rd Serial



Rig 1 FSK
Rig 1 PTT
Rig 2 FSK
Rig 2 PTT

To Radio RS-232 or P3 "PC" Conn.

To ACOM Only (from ICOM)

To Radio 1 Serial Port

N6TV		
1x3 DE-9 Splitter with DE-15		
R. A. Wilson	Ver 1.2 03/05/2018	Page 1 of 1